

# FUTEK MODEL LCF300 (L1665)

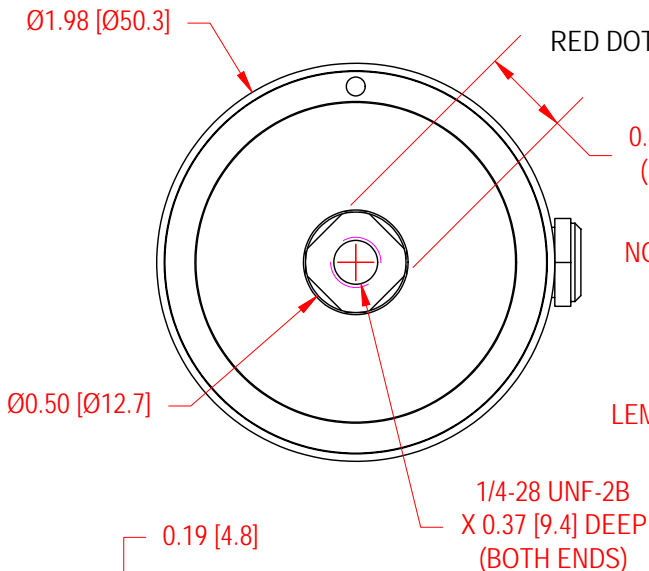
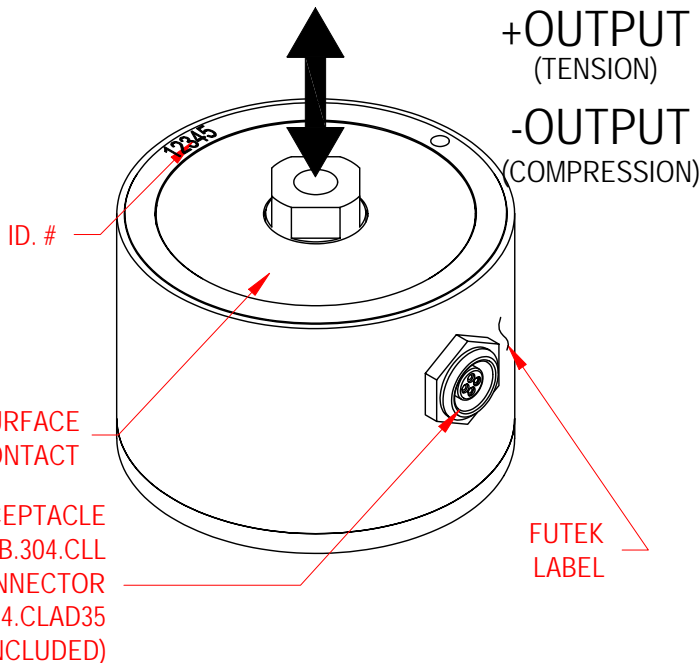
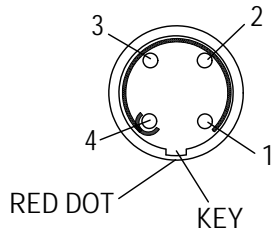
# UNIVERSAL LOAD CELL

**Drawing Number: FI1067-D**

**INCH [mm] | R.O.= Rated Output**

CONNECTOR CODE (CC4)

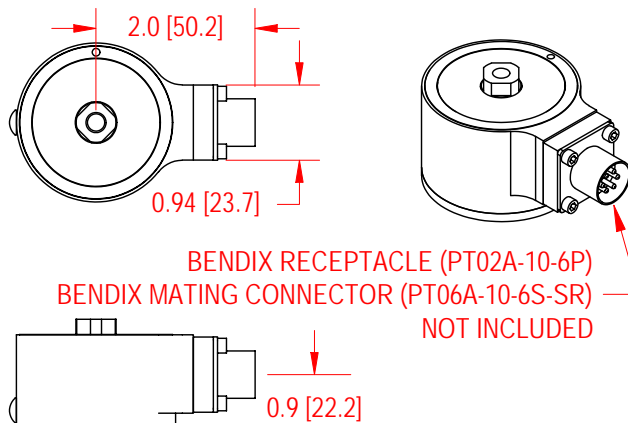
+Excitation	-Excitation	+Signal	-Signal
1 Red	4 Black	2 Green	3 White



NON LOADING SURFACE  
DO NOT CONTACT

LEMO RECEPTACLE  
EGG.OB.304.CLL  
LEMO MATING CONNECTOR  
FGG.OB.304.CLAD35  
(NOT INCLUDED)

## BENDIX VERSION (OPTIONAL)



WIRING CODE (CC1)

STK #	CAPACITIES		MATERIAL
	lb	N	
FSH00247	10	45	2024 ALUMINUM
FSH00250	25	111	
FSH00251	50	222	
FSH00256	100	445	17-4PH S.S.
FSH00257	250	1112	
FSH00258	500	2224	

\* TENSION RESULTS ACHIEVE BETTER THAN 0.15% IN NONLINEARITY AND HYSTERESIS.

### SPECIFICATIONS:

RATED OUTPUT	1 mV/V nom. (10 - 50 lb), 2 mV/V nom. (100 - 500 lb)
SAFE OVERLOAD	150% of R.O.
ZERO BALANCE	±1% of R.O.
EXCITATION (VDC OR VAC)	20 MAX
BRIDGE RESISTANCE	700 Ω nom.
NONLINEARITY	±0.25% of R.O. *
HYSTERESIS	±0.25% of R.O. *
NONREPEATABILITY	±0.05% of R.O.
TEMP. SHIFT ZERO	±0.01% of R.O./°F [0.018% of R.O./°C]
TEMP. SHIFT SPAN	±0.01% of LOAD/°F [0.018% of LOAD/°C]
COMPENSATED TEMP.	60 to 160°F [15 to 72°C]
OPERATING TEMP.	-60 to 200°F [-50 to 93°C]
WEIGHT	5 oz [142 g] (2024 ALUMINUM), 10 oz [284 g] (17-4PH S.S.)
CONNECTOR: LEMO Receptacle (EGG.OB.304.CLL)	
ACCESSORIES AND RELATED INSTRUMENTS AVAILABLE	
CALIBRATION (STD)	5 pt TENSION; 100K Ω SHUNT CAL. VALUE (200KΩ for 10 - 50 lb)
CALIBRATION (AVAILABLE)	COMPRESSION
CALIBRATION TEST EXCITATION	10 VDC

### RECEPTACLES & MATING CONNECTORS (NOT INCLUDED)

STK# GOD00040 - LEMO RECEPTACLE (EGG-OB-304-CLL)  
 STK# GOD00047 - LEMO MATING CONNECTOR (FGG-OB-304-CLAD)  
 STK#GOD00044 - BENDIX RECEPTACLE (PT02A-10-6P)  
 STK#GOD00046 - BENDIX MATING CONNECTOR (PT06A-10-6S-SR)