

# FUTEK MODEL LTH300 (L2760)

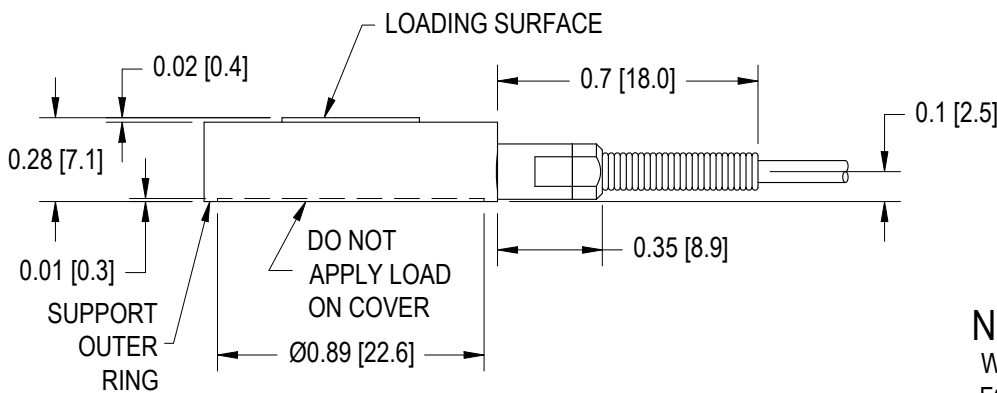
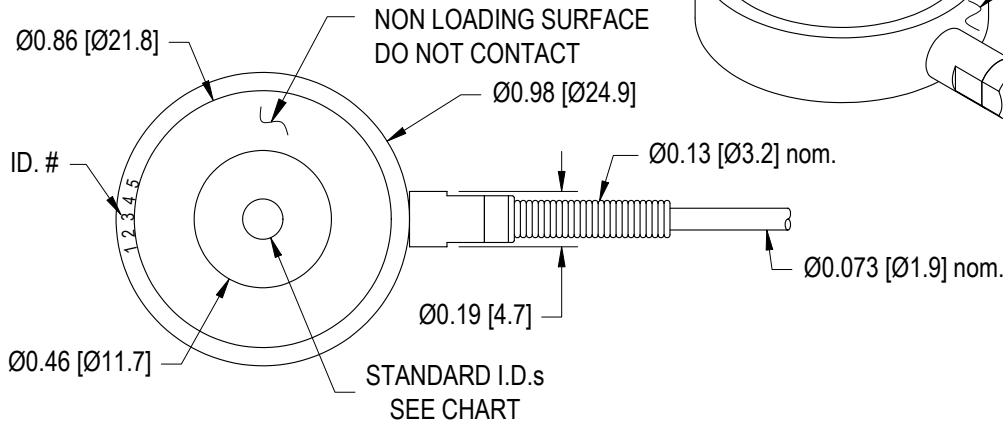
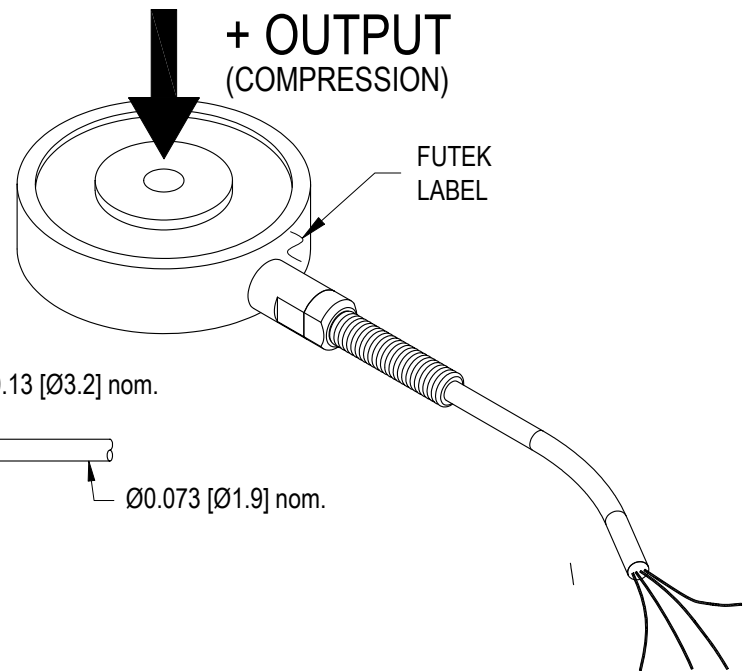
Drawing Number: FI1006

INCH [mm] | R.O.= Rated Output

WIRING CODE (WC1)

+Excitation	-Excitation	+Signal	-Signal
RED	BLACK	GREEN	WHITE

# DONUT/THRU HOLE LOAD CELL AVAILABLE WITH I.D.'S FROM 1/8 TO 3/8



ID	Inner Diameter DIMENSION
1/8	0.136/0.134 [3.45/3.40]
3/16	0.199/0.197 [5.06/5.01]
1/4	0.261/0.259 [6.63/6.58]
5/16	0.324/0.322 [8.23/8.18]
3/8	0.386/0.384 [9.80/9.75]

## SPECIFICATIONS:

<b>RATED OUTPUT</b>	2 mV/V nom.
<b>CAPACITY lb</b>	50, 100, 250, 500, 1000
<b>N</b>	222, 445, 1112, 2224, 4448
<b>SAFE OVERLOAD</b>	150% of R.O.
<b>ZERO BALANCE</b>	±1% of R.O.
<b>EXCITATION (VDC OR VAC)</b>	18 MAX
<b>BRIDGE RESISTANCE</b>	700 Ω nom.
<b>NONLINEARITY</b>	±0.5% of R.O. } IMPROVED ACCURACY
<b>HYSTERESIS</b>	±0.5% of R.O. } AVAILABLE CONTACT
<b>NONREPEATABILITY</b>	±0.5% of R.O. } FACTORY
<b>TEMP. SHIFT ZERO</b>	±0.005% of R.O./°F [0.01% of R.O./°C]
<b>TEMP. SHIFT SPAN</b>	±0.005% of LOAD/°F [0.01% of LOAD/°C]
<b>COMPENSATED TEMP.</b>	60 to 160°F [15 to 72°C]
<b>OPERATING TEMP.</b>	-60 to 200°F [-50 to 93°C]
<b>WEIGHT</b>	2 oz [57 g]
<b>MATERIAL</b>	17-4PH S.S.
<b>DEFLECTION</b>	0.002 [0.05] nom.
<b>CABLE: #29 AWG, 4 Conductor, Spiral Shielded Teflon Cable 10 ft [3 m] Long</b>	
<b>ACCESORIES AND RELATED INSTRUMENTS AVAILABLE</b>	
<b>CALIBRATION (STD)</b>	5 pt. COMPRESSION; 100KΩ SHUNT CAL. VALUE
<b>CALIBRATION TEST EXCITATION</b>	10 VDC

## NOTE:

WHILE TORQUING BOLTS, HIGH TENSION FORCES WILL OCCUR DURING INSTALLATION, WHICH COULD RESULT IN OVERLOADING THE SENSOR. FUTEK RECOMMENDS CONNECTING SENSOR TO A SYSTEM IN ORDER TO MONITOR THE APPLIED FORCES. FUTEK IS NOT LIABLE OR RESPONSIBLE FOR THE MISHANDLING OF THE SENSOR DURING INSTALLATION.