

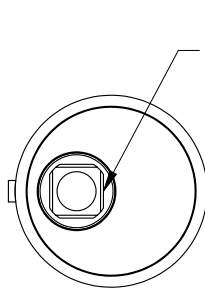
FUTEK MODEL TAT400

SOCKET EXTENSION REACTION TORQUE SENSOR (Previously T6010)

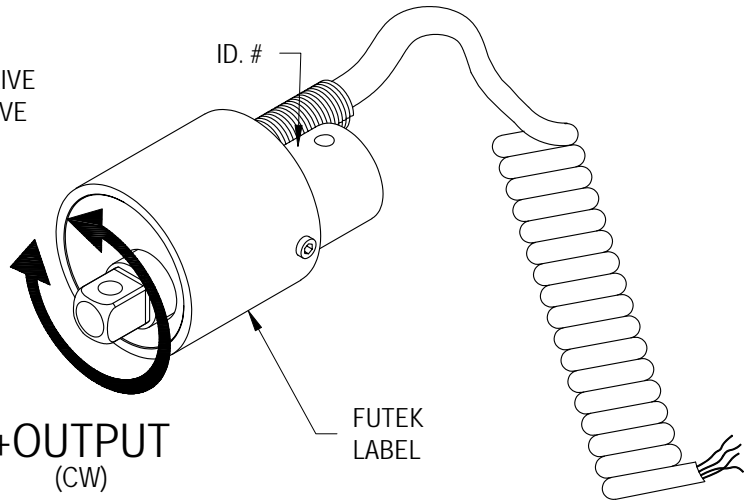
Drawing Number: FI1151

INCH [mm] | R.O.= Rated Output

WIRING CODE (WC4)			
+Excitation	-Excitation	+Signal	-Signal
RED	BLACK	GREEN	WHITE
+Sense	-Sense	Shield	
ORANGE	BLUE	Grounded	

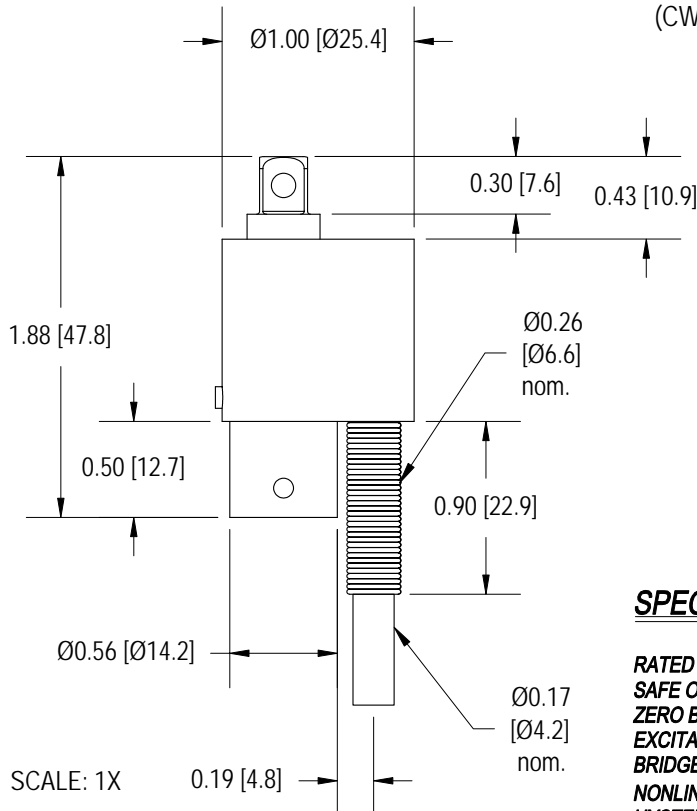


1/4" MALE SQ DRIVE
(FEMALE SQ DRIVE
OPPOSITE END)



+OUTPUT
(CW)

FUTEK
LABEL



SCALE: 1X

STK#	CAPACITY		TORSIONAL STIFFNESS
	in-lb	Nm	in-lb/rad
FSH00713	25	3	2500
FSH00714	50	6	6200
FSH00715	100	11	14000

SPECIFICATIONS:

RATED OUTPUT	2 mV/V nom.
SAFE OVERLOAD	150% of R.O.
ZERO BALANCE	±2% of R.O.
EXCITATION (VDC OR VAC)	18 MAX
BRIDGE RESISTANCE	1000 Ω nom.
NONLINEARITY	±0.2% of R.O.
HYSTERESIS	±0.2% of R.O.
NONREPEATABILITY	±0.1% of R.O.
TEMP. SHIFT ZERO	±0.01% of R.O./°F [0.018% of R.O./°C]
TEMP. SHIFT SPAN	±0.01% of LOAD/°F [0.018% of LOAD/°C]
COMPENSATED TEMP.	60 to 160°F [15 to 72°C]
OPERATING TEMP.	-40 to 180°F [-40 to 82°C]
MATERIAL (FLEXURE)	ALUMINUM (25 to 50 in-lb) 17-4PH S.S. (100 in-lb)
MATERIAL (COVER)	BLACK ANODIZED ALUMINUM
WEIGHT	6.5 oz [184 g]
CABLE:	#28 AWG, 6 Conductor, Retractable PVC Cable 10 ft [3 m] Long Extended
ACCESSORIES AND RELATED INSTRUMENTS AVAILABLE	
CALIBRATION (STD)	5 pt. CW; 150K Ω SHUNT CAL. VALUE
CALIBRATION TEST EXCITATION	10 VDC