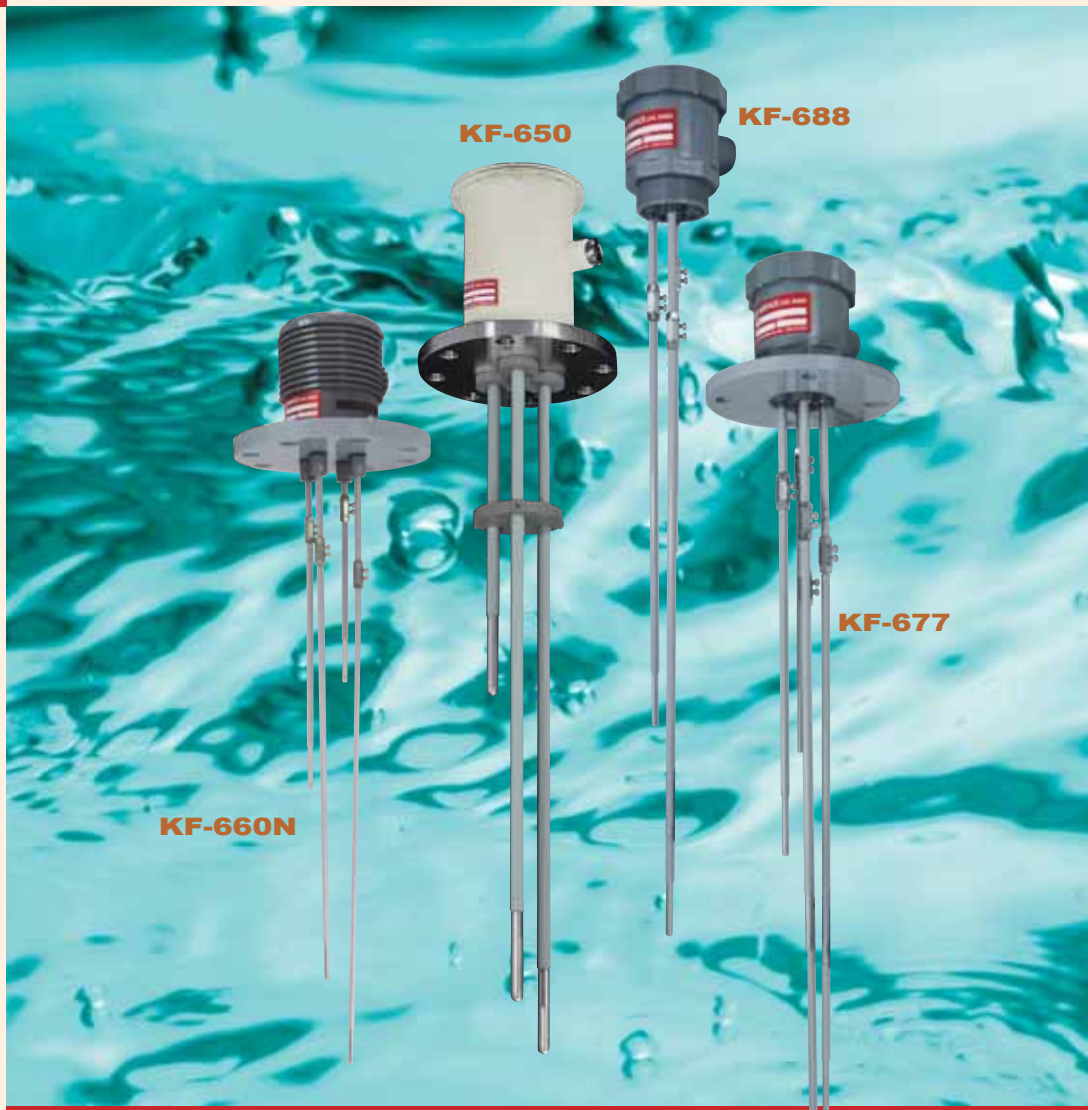


ELECTRODE TYPE LEVEL SWITCH Model **KF-600**



**BEST SELLING LINE IN LIQUID LEVEL CONTROL - SALES RECORD
AND RELIABLE COST PERFORMANCE**

KF-600 ELECTRODE TYPE LEVEL SWITCH

Liquid Control made of varied electrode materials in a sturdy housing can be applied to a variety of liquids. *Special specifications can be ordered.

KF-650



KF-650

Materials of housin / flange are selectable. As for KF-650 Electrode Type Level Switch, the electrode-rod diameter and components can be selected.

*Types of High Temperature and High Pressure (KFB-640) are also available.

* HT.PVC Flange can be available as well.

KF-660N



KF-688

KF-677



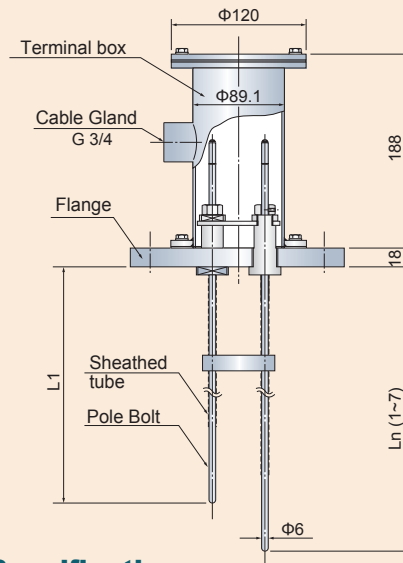
KF-660N/677/688

Only available is a housing type made of PVC. The pole bolt materials of Electrode Level Switch under KF-660/677/688 can be selected.

The choice of the pole bolt is $\Phi 6$ in diameter only.

*ASME & JPI can also be manufactured.

KF-650



•Specification

Pole Bolt Diameter : $\Phi 6 / 8 / 10 / 15 / 20$ mm

Nbr of Pole : 1 - 7

Separator : Standard, 1 each by every 2000mm

Flange : over 100A, JIS10K

Material of pole bolt : 304SS, 316SS, 316LSS, Titanium
Hastelloy C & B

Flange Material : PVC, 400SS, 304SS, others

Mat. of terminal box : PVC, SGP, 304SS, others

Painted color : Terminal box /munsell 5Y 7/1 (SGP only)

Flange / munsell 5Y 7/1 (400SS only)

Mat. of sheathed Electrode : PVC tube, Teflon tube

Mat. of stilling well : PVC, SGP, 304SS

*Possibly variable by ± 50 mm * The pole bolt is basically an unspliced bar.

*Coupling arrangement is possible (in case of longer pole.

*Withstand pressure type can be available.

* Option : Terminal box, Flange / hot-dip galvanizing.

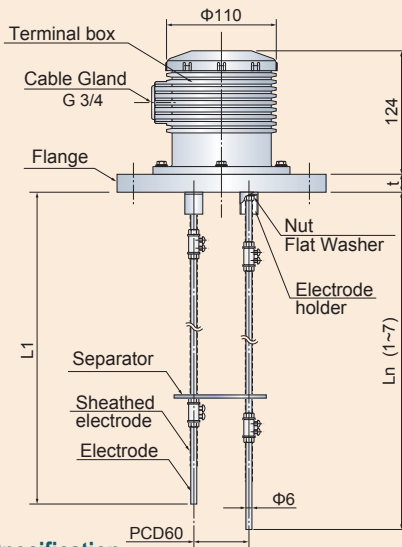
■ Principle of Operation

Assembled with an amplifier on the market, it can detect level from the minute electric current possibly flowing between electrodes in the conductive liquids.

KF650, Size of Flange / Electrode *Square flange and ASME/JPI flange can be available.

Pole Bolt Diameter	$\Phi 6 / \Phi 8$	$\Phi 10 / \Phi 12$	$\Phi 15 / \Phi 20$			
Nbr of Pole Bolt	1 ~ 7	1 ~ 3	4 ~ 7	1	2 ~ 4	5 ~ 7
Smallest flange = 10K JIS	100A		125A	100A	125A	200A

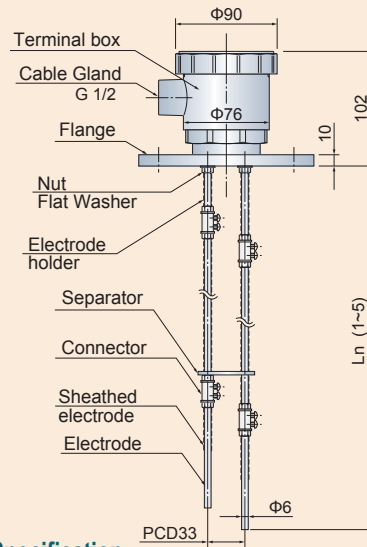
KF-660N



•Specification

- Pole bolt diameter** : Φ6mm only
- Pole Bolt Extension** : Connector connected every 1000mm
- Number of Pole(n)** : 1 ~ 9
- Separator** : Standard, 1 each by every 2000mm
- Flange** : over 100A, JIS10K
- Flange Mat.** : PVC, HT, PVC
- Mat. of Terminal box** : PVC

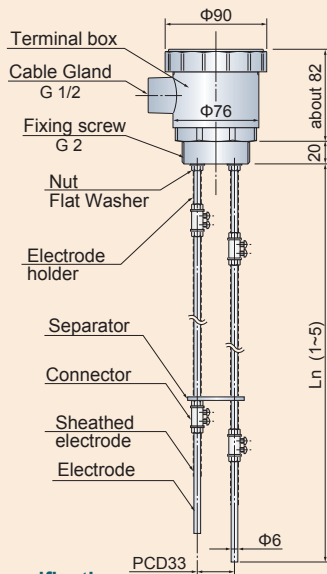
KF-677



•Specification

- Pole bolt diameter** : Φ6mm only
- Pole Bolt Extension** : Connector connected every 1000mm
- Number of Pole(n)** : 1 ~ 5
- Separator** : Standard, 1 each by every 1000mm
- Flange** : over 50A~80A, JIS10K
- Flange Mat.** : PVC
- Mat. of Terminal box** : PVC

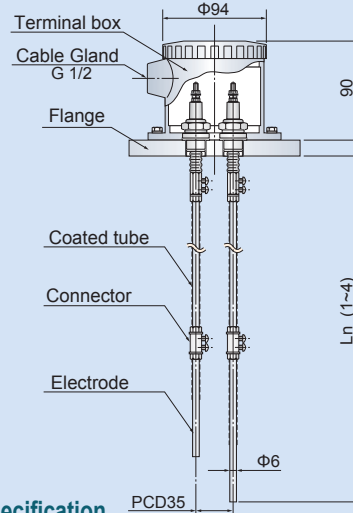
KF-688



•Specification

- Pole bolt diameter** : Φ6mm only
- Pole Bolt Extension** : Connector connected every 1000mm
- Number of Pole(n)** : 1 ~ 5
- Separator** : Standard, 1 each by every 1000mm
- Fixing screw** : G2
- Fixing screw Mat.** : PVC
- Mat. of Terminal box** : PVC

KFB-640 Special / High Temp. High Pressure, others



•Specification

- Pole bolt diameter** : Φ6mm only
- Pole Bolt Extension** : Connector connected every 1000mm
- Number of Pole(n)** : 1 ~ 4
- Separator** : Standard, 1 each by every 1000mm
- Flange** : 50A, JIS10K
- Mat. of pole bolt** : 304SS, 316SS, Titanium, Hastelloy C
- Flange Mat.** : 400SS, 304SS, 316SS
- Mat. of Terminal box** : AC

*When the nbr of pole exceeds 5, use the terminal box for KF650 or the like.

■ MATERIAL TABLE (KF-660N / - 677/ - 688) *Pole bolt consisting of hastelloy C & B is an unspliced bar.

Material of Pole bolt	▶ 304SS	316SS	316LSS	Titanium	Hastelloy C	HastelloyB
Mat. of sheathed electrode	▶ PVC	Teflon-tube	others	[]
Material of separator	▶ PVC	Teflon	others	[]
Material of stilling well	▶ PVC	others	[]

DESIGNATION OF MODEL

KF-6 -

Nbr of Pole Bolt = 1, 2, 3, 4, 5, 6, 7
Specification = 50

Terminal box fixing = Bolt on flange.
Flange dimensionstable = The size is available from the smallest one shown on the table.
Material = Selective
Pole Bolt Diameter = Φ6/ 8/ 10/ 15/ 20
Nbr of Pole Bolt = up to 7 poles

= 60N

Terminal box fixing = Integrated flange
Flange dimensionstable = Available from the minimum size of 100A, JIS10K.
Material = Only available is the standard housing / flange made of PVC.
 Material of other parts is selective.
 *Option : Ones made of HT & PVC can be available.

Pole Bolt Diameter = Φ6 only
Nbr of Pole Bolt = up to 9 poles

= 77N

Terminal box fixing = Integrated flange
Flange dimensionstable = 50A~80A, JIS10K
Material = Only available is the standard housing/flange made of PVC
 Material of other parts is selective.

Pole Bolt Diameter = Φ6 only
Nbr of Pole Bolt = up to 5 poles, 6-pole type is KF670-6

= 88N

Terminal box fixing = Solid Type, Mounting by screw.
Mounting Dimensions = G2 Screw only
Material = Only available is the standard housing/flange made of PVC
 Material of other parts is selective.

Pole Bolt Diameter = Φ6 only
Nbr of Pole Bolt = up to 5 poles, 6-pole type is KF680-6.

Special Specification / High temp, High pressure, others

KFB-640 -

Nbr of Pole Bolt = 1, 2, 3, 4, 5, 6, 7

Specification = **Terminal box fixing** = Bolt on flange
Flange dimensionstable = 50A, JIS10K

Material = Terminal box is made of AC and flange 304SS (standard)
Pole Bolt Diameter = Φ6 only
Nbr of Pole Bolt = up to 4 poles, 5-poles Consult with Sales staff when you need more than

NUMBER / LENGTH OF ELECTRODE

TAG.No	NBR	n = POLE	Shor test ←————→ Longest						
			L 1	L 2	L 3	L 4	L 5	L 6	L 7

Line of business

- Rotary Paddle Type Level Switch
- Vibration Type Level Switch
- Swing Type Level Switch
- Acoustic Level Switch
- Capacitance Type Level Switch
- Capacitive Proximity Sensor
- Capacitance Type Level Indicator
- Diaphragm Type Level Switch
- Tilt Switch
- Leak Type Level Switch
- Microwave Switch
- Sounding Bob Type Level Indicator
- Flow Switch
- Conductance Type Level Switch
- Float Switch
- Float Type Level Indicator
- Ultrasonic Type Level Indicator
- Equipments For Conveyor Lines
- Dust Monitor System
- Zirconia Oxygen Analyzer
- Laser Type Level Indicator
- RADAR Type Level Indicator
- On-line Sensors for Accurate Liquid Analysis
- Ultrasonic Flow meter

*Please be sure to read USER'S GUIDE, Installation & Operation Instructions before using the instrument.

*The specifications herein may be subject to change without advance notice.

Nuclear Power Generation to Rice Milling
 All-round Manufacturer of Level Controllers for Powder, Granules and Liquid

KANSAI Automation Co.,Ltd.

Headquarters :
 2-14, Togano-cho, Kita-ku, Osaka 530-0056, Japan
 TEL. 81-6-6312-2071 FAX. 81-6-6314-0848
 e-mail: info@kansai-automation.co.jp

<http://www.kansai-automation.co.jp>

Tokyo Branch : 1-29-6, Hamamatsu-cho, Minato-ku, Tokyo 105-0013, Japan
 TEL. 81-3-5777-6931 FAX. 81-3-5777-6933

Nagoya Office : 3-31-27, Uchiyama, Chigusa-ku, Nagoya 464-0075, Japan
 TEL. 81-52-741-2432 FAX. 81-52-741-1588

Kyushu Office : 1-2-39, Asano, Kokura Kita-ku, Kitakyushu 802-0001, Japan
 TEL. 81-93-511-4741 FAX. 81-93-511-4580



Design, development, and manufacture of level measuring sensors

Agent