

# bourdon tube pressure gauges standard execution DS 1.5", 2" (40-50mm)

# MS1



They can be used with gaseous or liquid media which do not corrode copper alloy and which do not have high viscosity or do not cristalize.

## 1.01.1 - Standard Model, DS 1.5" (40mm)

**Design:** EN 837-1.

**Ranges:** from 0...30 to 0...600 psi (from 0...2,5 to 0...40 bar or equivalent units)

**Accuracy class:** 1,6 as per EN 837-1.

**Ambient temperature:** -13...+122°F (-25°C...+50°C).

**Process fluid temperature :** +149°F (+ 65 °C max).

**Thermal drift:** max ±0,4 % / 10 K of range (starting from 68°F - 20°C).

**Working pressure:**

75% of FSV for static pressure;

66% of FSV for pulsating pressure;

100% of FSV for static pressure (max 12 h).

**Overpressure (max 15 min):**

25% of FSV for ranges ≤ 1500 psi (100 bar);

15% of FSV for ranges over 1500 psi (100 bar).

**Protection degree:** IP 40 as per IEC 529.

**Socket material:** copper alloy.

**Bourdon tube:** copper alloy.

**Welding:** copper alloy.

**Case:** stainless steel

**Window:** plastic.

**Movement:** copper alloy.

**Dial:** aluminium, white with black markings

**Pointer:** non adjustable, aluminium, black.

## 1.01.1 - Standard Model, DS 2" (50mm)

**Ranges:** from 0...30 to 0...6000 psi ; (from 0...2,5 to 0...400 bar or other equivalent units).

**Ambient temperature:** -13...+149°F (-25°C...+65°C).

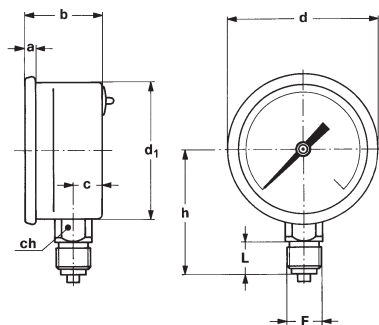
**Other features:** as Standard Model, DS 1.5" (40mm).

**bourdon tube pressure gauges**  
**standard execution, DS 1.5", 2" (40-50mm)**

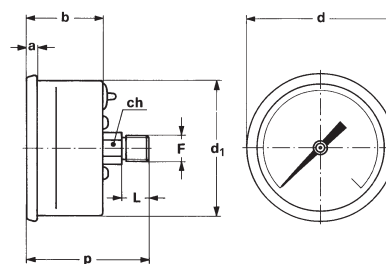
**MS1**

RB3 - 02/08

IN ORDER TO IMPROVE THEIR PRODUCTION, MESSRS. NUOVA FIMA RESERVE THE RIGHT TO THEMSELVES TO MAKE ALL THE MODIFICATIONS THAT THEY DEEM INDISPENSABLE AT ANY TIME. UPDATED DATA-SHEET ARE AVAILABLE ON SITE: [www.nuovafima.com](http://www.nuovafima.com)



**A - LOWER CONNECTION**



**D - BACK CONNECTION**

Mounting	DS	F	a	b	c	d	d <sub>1</sub>	h	p	L	ch	Weight
Back	<b>A</b> 1.5" (40)	<b>11M</b> - G 1/8 A		1.04"	0.43"	1.61"			1.77"	0.39"	0.47"	0.15 lbs
		<b>13M</b> - 1/8-27 NPT		(26,5)	(11)	(41)			(45)	(10)	(12)	(0,07 kg)
Lower	<b>B</b> 2" (50)	<b>21M</b> - G 1/4 A	0.15"	1.14"	0.43"	2.20"	2.00"			0.51"	0.55"	0.22 lbs
			(4)	(29)	(11)	(56)	(51)			(13)	(14)	(0,1 kg)
Lower	<b>B</b> 2" (50)	<b>23M</b> - 1/4-18 NPT	0.15"	1.14"		2.20"	2.00"	1.88"		0.59"	0.55"	0.22 lbs
			(4)	(29)		(56)	(51)	(47,9)		(15)	(14)	(0,1 kg)
Back	<b>B</b> 2" (50)	<b>11M</b> - G 1/8 A	0.15"	1.14"		2.20"	2.00"	1.88"	1.81"	0.39"	0.47"	0.18 lbs
		<b>13M</b> - 1/8-27 NPT	(4)	(29)		(56)	(51)	(47,9)	(46)	(10)	(12)	(0,085 kg)

dimensions : inches (mm)

**"HOW TO ORDER" SEQUENCE**

Section / Model / Case / Mounting / Diameter / Range / Process connection / Options

**1 01 1 A A 11M**  
**D B 13M**  
**21M**  
**23M**